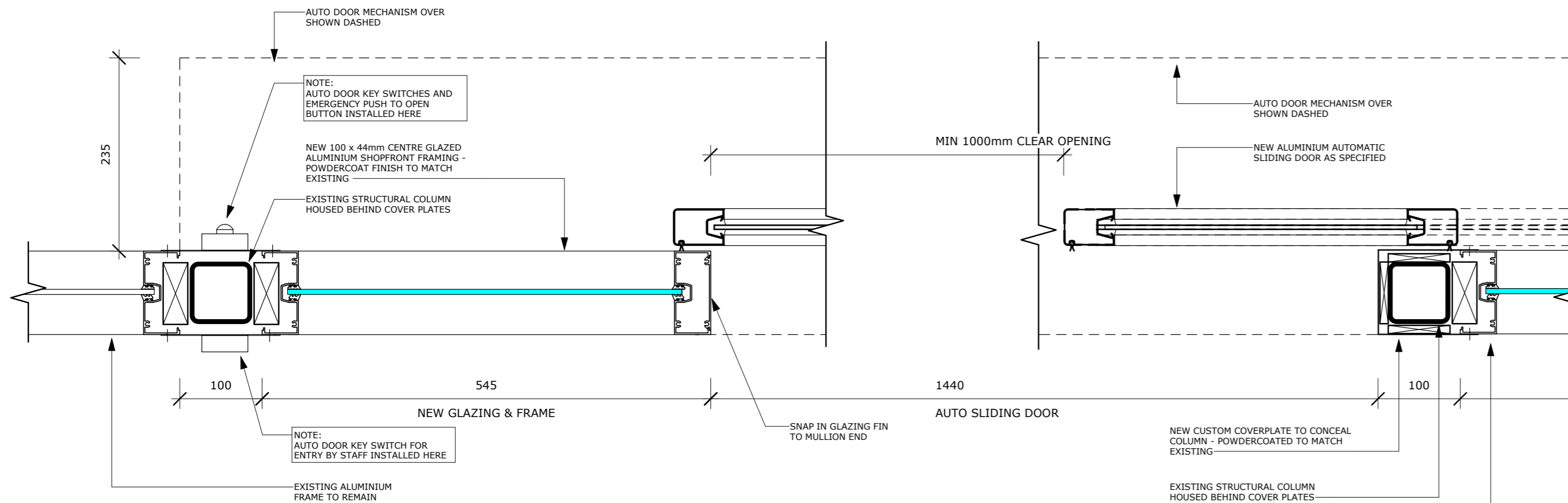
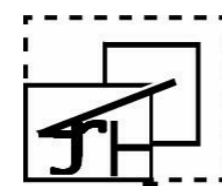
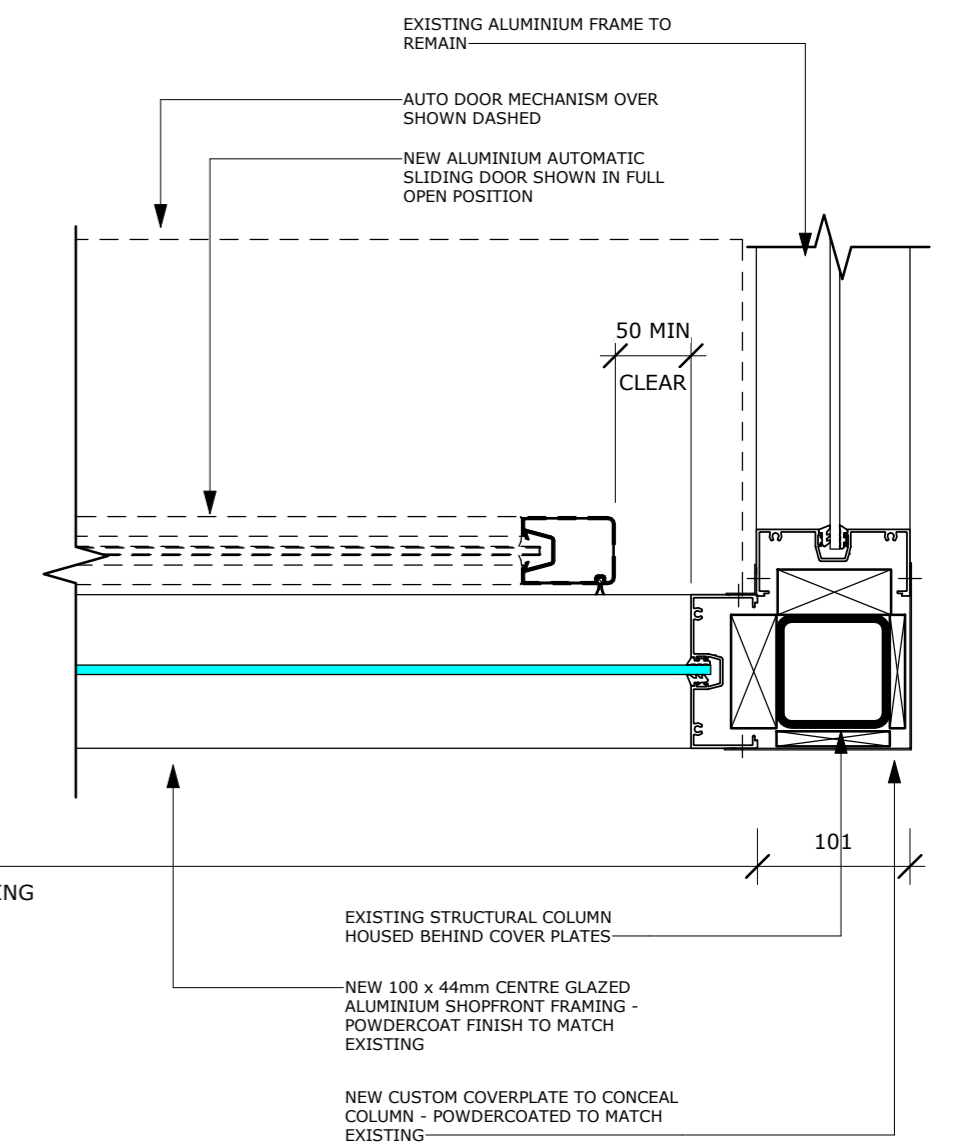


P5 SHOP FRONT AND AUTO DOOR GLAZING PLAN
SCALE 1 : 25



P6 SHOPFRONT / AUTO DOOR PLAN DETAIL
SCALE 1 : 5

D1 AUTO DOOR MECH DETAIL
SCALE 1 : 10



SJH DRAFTING

Date	Rev	Description
22.05.19	A	ISSUED FOR BUILDING PERMIT

m 0451 195 657
e sjhdrafting@gmail.com
w www.sjhdrafting.com

PO BOX 70
HILLARYS WA 6923
abn 85 871 018 312

DO NOT SCALE THIS DRAWING
ALL DIMENSIONS TO BE CHECKED ON SITE PRIOR TO CONSTRUCTION OR PRODUCTION.
ALL DISCREPANCIES AND OMISSIONS ON SITE MUST BE REPORTED TO THE DESIGNER FOR THEIR COMMENTS OR APPROVAL PRIOR TO COMMENCING WORK.

DATE	DRAWN	CHECKED	SCALE	DWG No.	REV.
17.05.19	SJH	SJH	As indicated	A105	A